

TELEBELT TB 110 SPECIFICATIONS

Conveyors

Conveyor horizontal reach

| | | |
|-----------------------------|---------------------------|---------------------------|
| Maximum at 0° | 106' 1" | (32.34m) |
| Maximum at 30° | 91' 6" | (27.91m) |
| Conveyor belt width | 18" | (457mm) |
| Feed conveyor length | 38' 0" | (11.60m) |
| Feed conveyor belt width | 18" | (457mm) |
| Trunk/end hose length | 15' 0" | (4.57m) |
| Discharge height from grade | | |
| Maximum at 30° | 60' 2" | (18.36m) |
| Maximum at -15° | -20' 0" | (-6.11m) |
| Main & feed conveyors | | |
| Observed capacity at 0° | 5.00 yd ³ /min | (4.00m ³ /min) |
| Observed capacity at 20° | 5.00 yd ³ /min | (4.00m ³ /min) |

Outriggers

| | | |
|--|---------|----------|
| Net reach beyond outriggers — | | |
| at 0° | 100' 6" | (30.65m) |
| at 30° | 86' 0" | (26.23m) |
| Outrigger spread L - R — front manual out, hydraulic extended down | 23' 1" | (7.05m) |
| Outrigger spread L - R — rear manual out, hydraulic extended down | 26' 9" | (8.17m) |
| Outrigger spread front to rear | 27' 5" | (8.37m) |

General Specifications

| | | |
|---|---------|--------|
| Water tank capacity | 200 gal | (757L) |
| Hydraulic oil tank capacity with cooler | 150 gal | (568L) |

Truck Specifications **+

| | | |
|---------------------------|--------------------|-----------|
| Weight | 20,525 lbs | (9,310kg) |
| Engine horsepower | 405 hp | (302kW) |
| Wheelbase | 299" | (7,595mm) |
| Cab height | 104" | (2,642mm) |
| Steering radius (outside) | 45' 6" | (13.87m) |
| Steering angle | 30° | |
| Fuel tank capacity | 80 gal | (303L) |
| Transmission | Mack T310 10-Speed | |

Transport Axle Weights **+

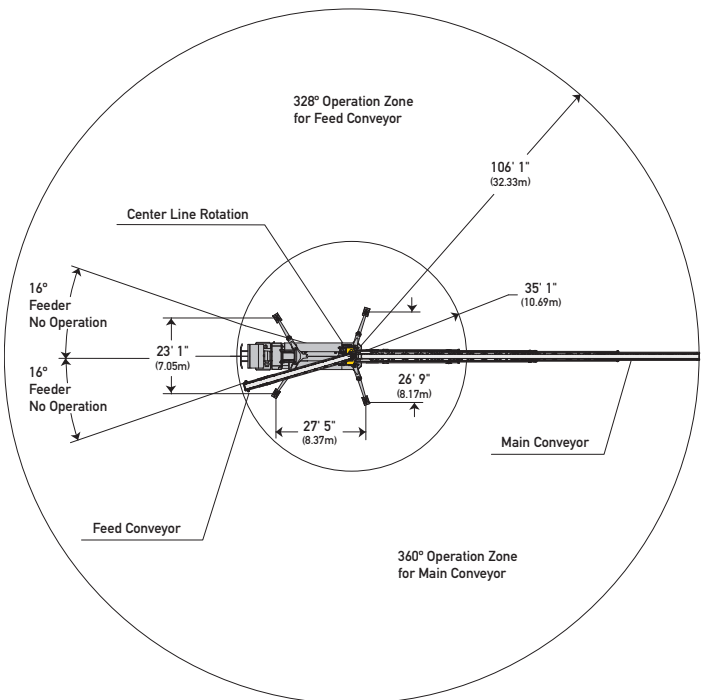
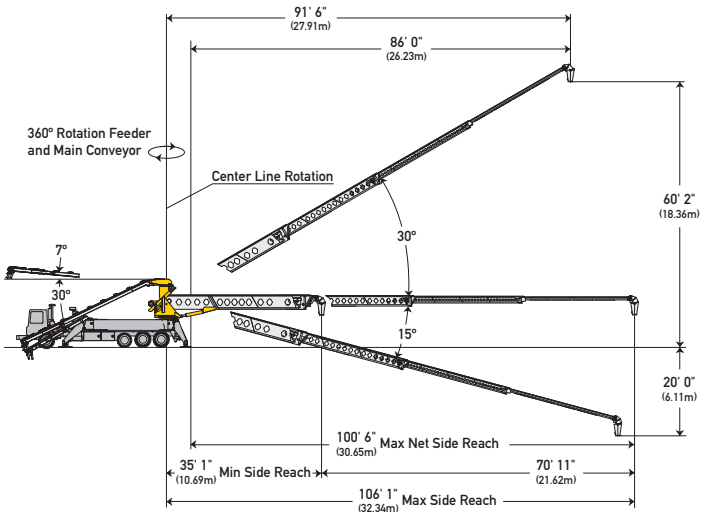
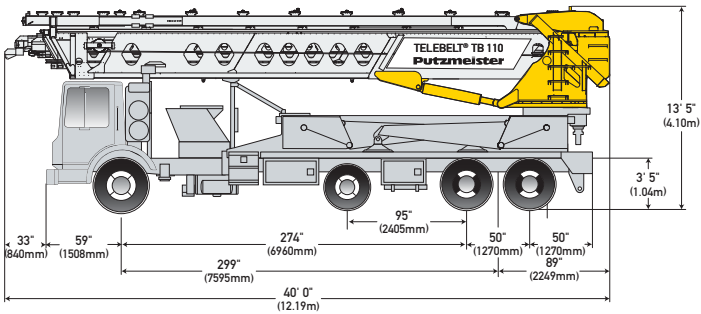
| | | |
|----------|------------|------------|
| Steering | 19,008 lbs | (8,621kg) |
| Pusher | 10,000 lbs | (4,535kg) |
| Tandem | 33,754 lbs | (15,309kg) |
| Total | 62,762 lbs | (28,465kg) |

Maximum theoretical values listed.

* Truck dimensions will vary with different truck makes, models and specifications.

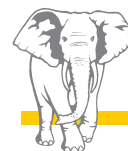
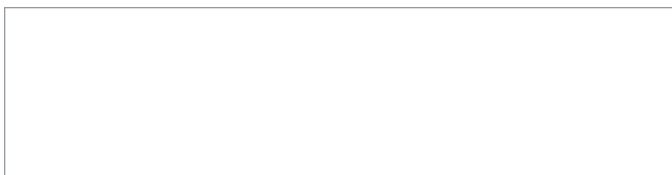
• Weights are approximate and include truck, fuel, and 100 gal (379L) of water.

+ All specifications apply to units mounted on Mack MRU 613.



Photos and drawings are for illustrative purposes only.

Authorized Distributor



Putzmeister

Putzmeister America, Inc. Phone (262) 886-3200
 1733 90th Street Toll-free (800) 884-7210
 Sturtevant, WI 53177 USA Fax (262) 884-6338